

The communication software is downloadable free from www.tecnoware.com. Installing it on your computer can be controlled in real time, through the RS232 serial port or USB, the status of the power supply, the operation of the UPS, the charge level and the efficiency of the batteries.

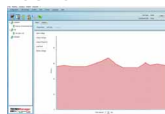
In the event of anomalies in the power supply, the software will automatically proceed to save all the open files and will then close down the operating system and switch off the computer in an ordered manner, before the autonomy runtime of the UPS expires.

In addition, the software monitors, analyses and records a vast range of parameters related to the operation of the UPS. It visualises in real time, in the form of a graph, the input/output voltage, frequency and charge connected to the UPS, the working temperature and the charge level of the batteries.

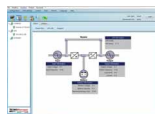
TecnoManager for Windows



Measures parameters



Graphics



Main window

TecnoManager for Mac OS X



Measures parameters



Graphics



Main window

Software Compatibility

	TecnoManager ¹	ATS Monitor ²
Era Plus 650-2.600	•	
Era Plus Strip 1.000	•	
Era LCD RM 850-1.100	•	
Exa PLUS 1.000-2.000	•	
Evo DSP Plus RT 1.200-3.600	•	
Evo DSP Plus 6-10	•	
Evo DSP Plus RM 6-10	•	
Evo DSP Plus Modular 20-300	•	
Evo DSP Plus TM/TT 10-200	•	
ATS		•

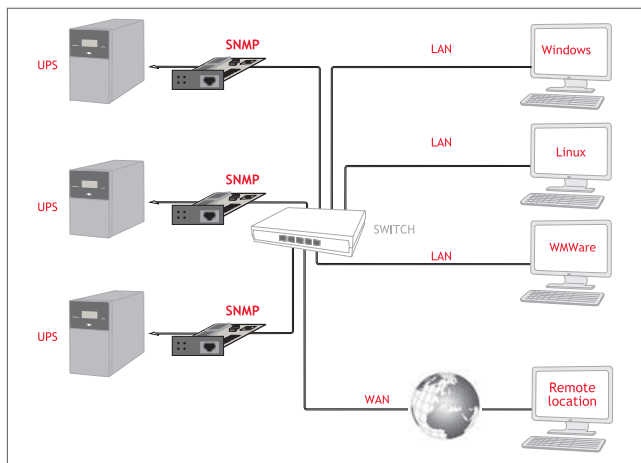
1) Compatible with Windows, Mac OS X, Unix, Linux, etc

2) Compatible with Windows

SNMP Interface

(connection through RJ45 LAN network)

The SNMP (Simple Network Management Protocol) interface enables connection and configuration of the UPS in a LAN computer network. Each SNMP interface provides the necessary software for the monitoring and management of the UPS via LAN, compatible with most Operating Systems.

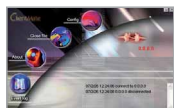


SNMP Interface Compatibility

	FGCNETAG7	FGCNETAG9
Evo DSP Plus RT 1.200-3.600	•	
Evo DSP Plus 6-10	•	
Evo DSP Plus RM 6-10	•	
Evo DSP Plus Modular 20-300	•	
Evo DSP Plus TM/TT 10-200	•	
ATS		•



IP configuration



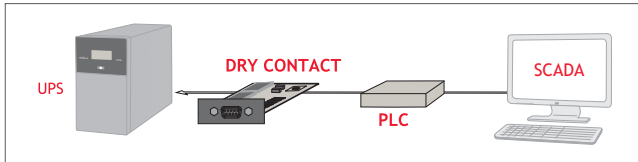
Main window



NetAgent Web Manager

Dry Contact board (Dry Contact)

Dry Contact board provides a set of relay contacts (Dry Contacts) able to identify UPS alarm status as battery mode, discharged battery, active bypass or general alarm. It can be used to interface with the systems that manage industrial processes.

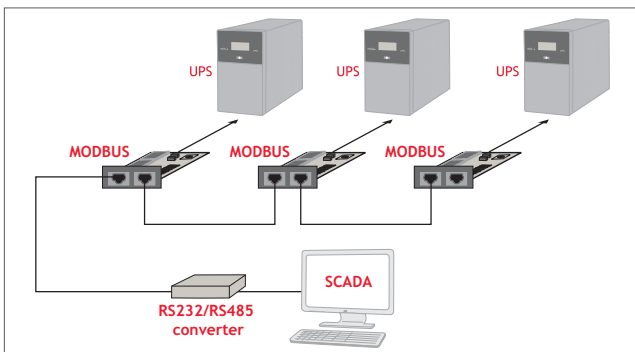


Dry Contact Interface Compatibility

	FGCEVODSDRY3	FGCEVODSDRY4	DI SERIE
Evo DSP Plus RT 1.200-3.600	•	•	
Evo DSP Plus 6-10	•	•	
Evo DSP RM 6-10	•	•	
Evo DSP Plus Modular 20-300	•	•	
Evo DSP Plus TM/TT 10-200	•	•	
ATS			•

MODBUS RS485 board

The MODBUS RS485 interface allows UPS and PC connection through MODBUS protocol. It has MODBUS RTU protocol, includes reading and writing registers and provides the RS485/RS232 interface.



MODBUS RS485 Interface Compatibility

	FGCMODBUS
Evo DSP Plus RT 1.200-3.600	•
Evo DSP Plus 6-10	•
Evo DSP Plus RM 6-10	•
Evo DSP Plus Modular 20-300	•
Evo DSP Plus TM/TT 10-200	•



MODBUS Manager